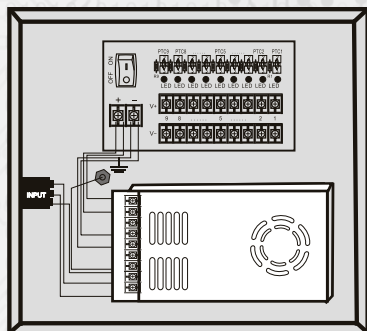


# Quick Start Guide



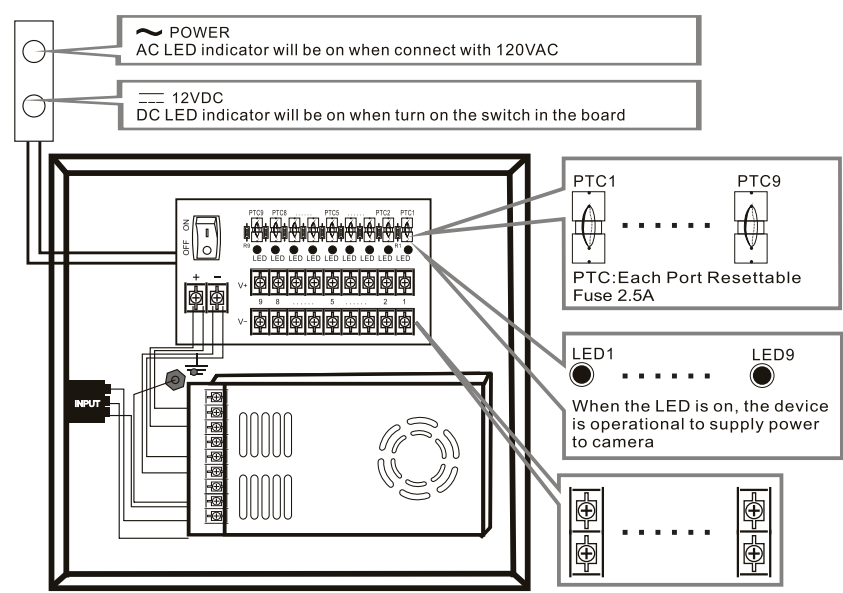
**12VDC 20A 9CH Power Supply Box**

## 1 Features

- 20 Amp Output Current.
- Supports 9 video surveillance cameras.
- Class 2 PTC output protection.
- Overcurrent protection.
- Wall-Mountable design.
- Grounded plug.
- LED indicators.
- UL listed.

## 2 Product Introduction

The CSE1220-D9 is an economical power source for up to 9 security cameras or other DC 12V devices like CCTV equipment, microphones, digital video recorders, and LED strip lights. It is equipped with individual Class PTC fuses for each output, coupled with overcurrent and voltage protection. This design ensures superior safety and reliability, safeguarding each camera from electrical disturbances.



## 3 Specifications

Item	Description
Input Voltage	120VAC
Input Current	4A
Output Voltage	12VDC
Output Current	20A
Output for each channel	2.22A
Max current for PTC fuse	2.5A
Dimension	254 x 262 x 79 mm
Casing Material	Metal

## 4 Troubleshooting

- Review the entire instruction manual.
- Check all connections to ensure they are in good working condition.
- Verify cable routes and distances. (Note: Voltage will drop as the cable run distance increases.)

## 5 Connections

1. Turn the power switch to the "OFF" position.
2. Connect each camera device to one "+" / "-" power output pair.
3. Plug the AC plug into a 120VAC power outlet.
4. Turn the power switch to the "ON" position; the output LED indicator of each channel should be on.
5. Close the cover and secure it with the provided screws.